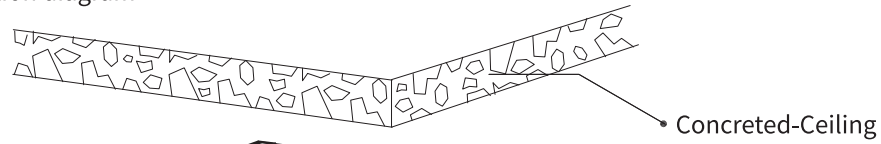
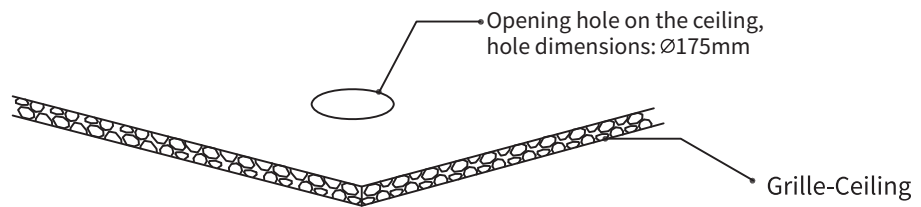
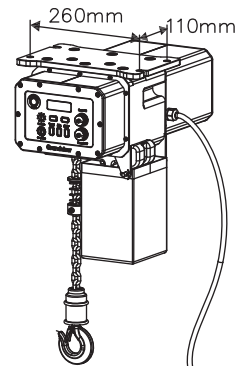
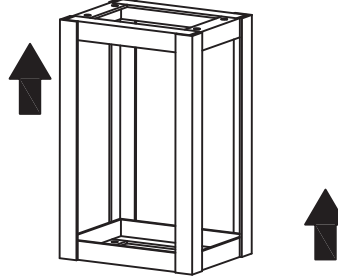


Installation diagram

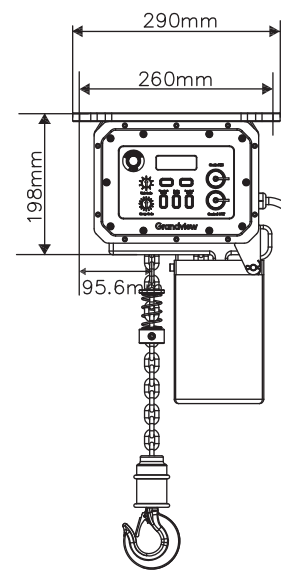


Concreted-Ceiling

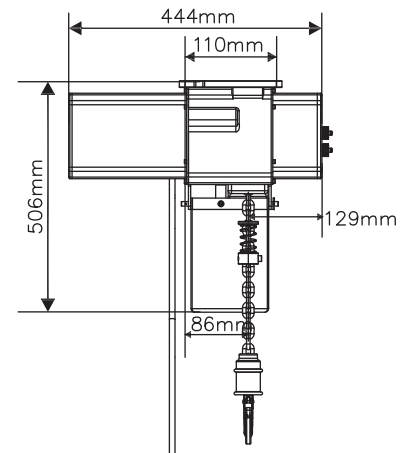


Opening hole on the ceiling,  
hole dimensions:  $\varnothing 175\text{mm}$

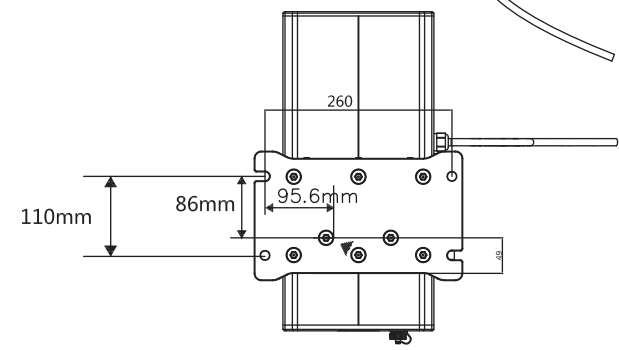
Grille-Ceiling



Front View



Side View



Top View

- Specifications**
- Product: Electric Chain Hoist with Numerical Control
  - Model: GCRT-5012
  - Size: W444x D290 xH506mm
  - Installation Bolt Hole Size: 260mm x110mm
  - Ceiling open size:  $\varnothing 175\text{mm}$
  - Loading capacity: 500 Kg
  - Max dropping distance: 12000mm
  - Input Voltage: AC 220V/50Hz
  - Power rating: 300W
  - Control: RS-485/Dry Contact/Wall Switch