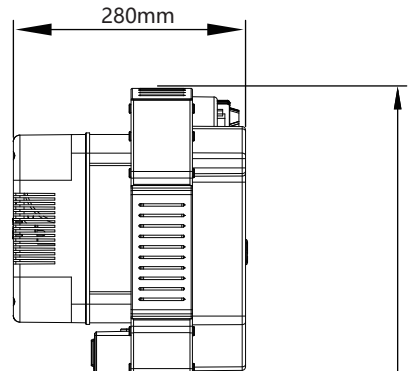
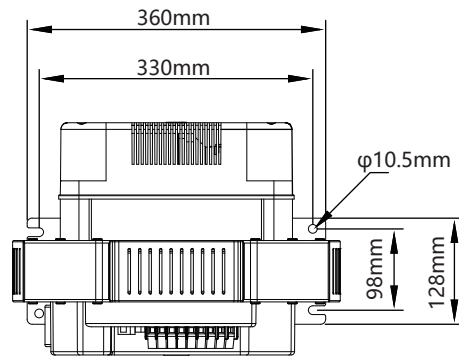


Front view



Side view



Top view

GSPC 12 Specification :

Name: Motorized cable manager

Model : GSPC12

Product size : W280 x D394 x H844mm

Slot size : 330 x 98mm

Ceiling Install hole size : \varnothing 175mm

Maximum travelling distance : 12000mm

Input voltage: 220V

Rated power : 60W

Minimum speed: 4m/min

Control method: RS485、 dry-contact

Cable manager interface: Aerospace plug,
AC250V/16A socket (4pcs), DMX512 5-core interface,
network interface