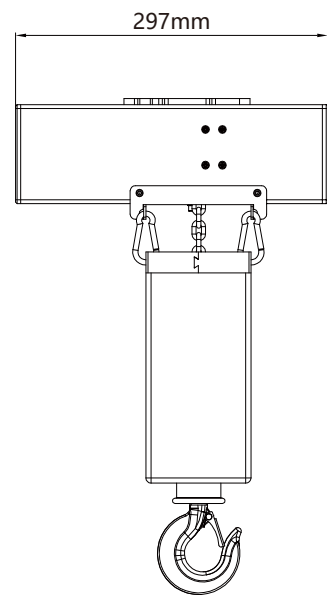
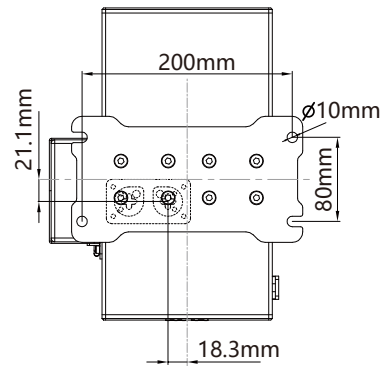
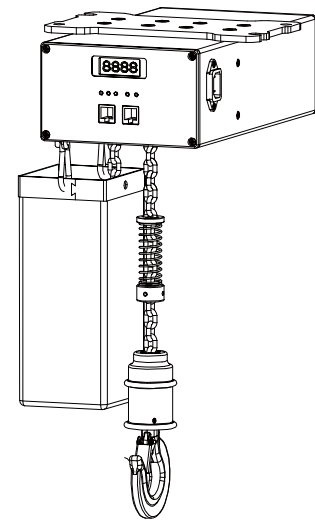


Front View



Side View



Top View

GGCRT-1012Specs:
 Product: K1 Series Rigging Point
 Model: GCRT-1012
 Size: W297xD220xH366mm
 Jib Attachmen: W200xD80mm
 Ceiling Opening Dimensions: ϕ 175mm
 Max Load: 100Kg
 Max Trave: 12000mm
 Voltage: AC 220V/50Hz
 Power: 45W
 Control: RS-485、 Dry Contact