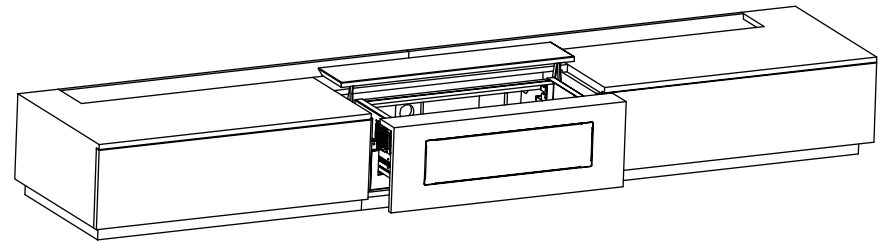


Grandview

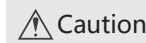
Smart Laser Projector Cabinet Instruction Manual

Model: GMPU Series

Grandview



GUANGZHOU GRANDVIEW CRYSTAL SCREEN CO.,LTD.
A: No.43 S, Guomao Ave.Hualong,Panyu,Guangzhou,Guangdong,P.R.C
T: 020-84899499



- Caution**
1. Avoid looking directly into the projector while in operation.
 2. Make sure there are no wires in the path of the adjustable platform.
 3. In the case of sudden power failure, you must reset the adjustable platform or it will not be in the correct position.

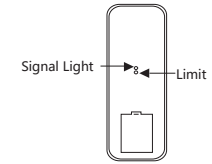


Do not disassemble

Please DO NOT disassemble or remove part(s) from the product.

Method to Position the Adjustable Platform

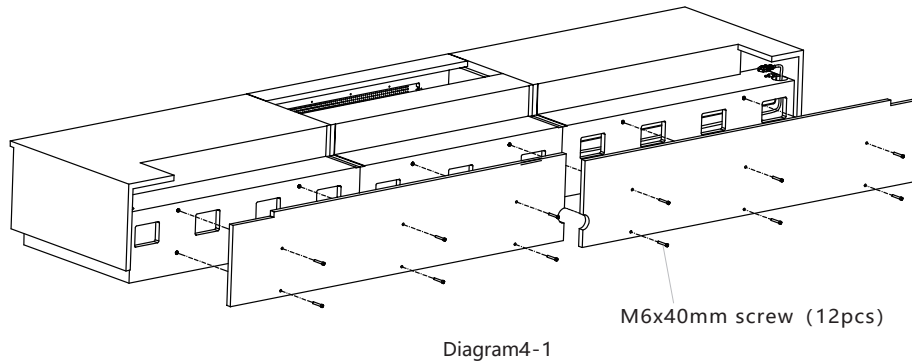
1. Extension Limit: Press the "Limit" button on the back of the remote until signal light turns on; then press the "Extension" button on the front of the remote, adjustable platform will start extending. When adjustable platform is at desired position, press "Stop" button. Press the "Limit" button on the back of the remote again until signal light turns off. Platform will move back and forth once, which signals the successful setup of the extension limit.



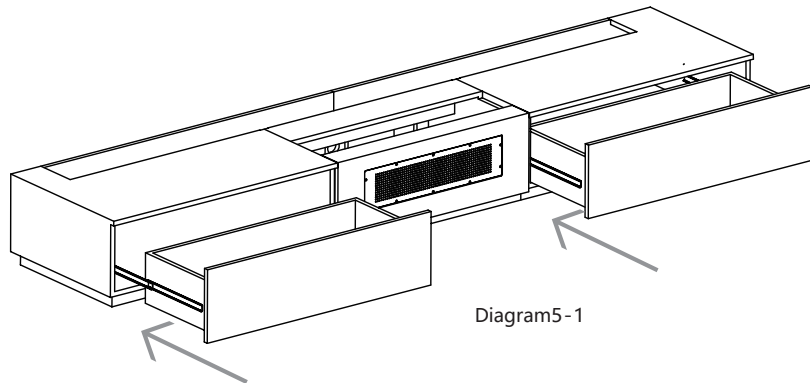
2. Retraction Limit: Press the "Limit" button on the back of the remote until signal light turns on; then press the "Retraction" button on the front of the remote, adjustable platform will start retracting. When adjustable platform is at desired position, press "Stop" button. Press the "Limit" button on the back of the remote again until signal light turns off. Platform will move back and forth once, which signals the successful setup of the retraction limit.

Installation

4. Backboard installation, see diagram 4-1








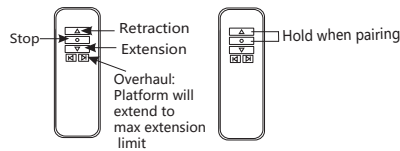
5. Drawer installation, see diagram 5-1



Functions and Settings

Remote Buttons

1.  : Retraction
 2.  : Stop
 3.  : Extension
 4.  : No function
 5.  : Overhaul
6. Factory Setting: Hold "Retraction" and "Extension" button until a sound goes off



Pairing:

Within 10 seconds after plugging in power for the platform, hold the "Retraction" and "Stop" button simultaneously for 2 - 3 seconds, platform will move back and forth once, signaling a successful pairing.

Note: Remote is paired before leaving factory.

GMPU-T4 Product Introduction

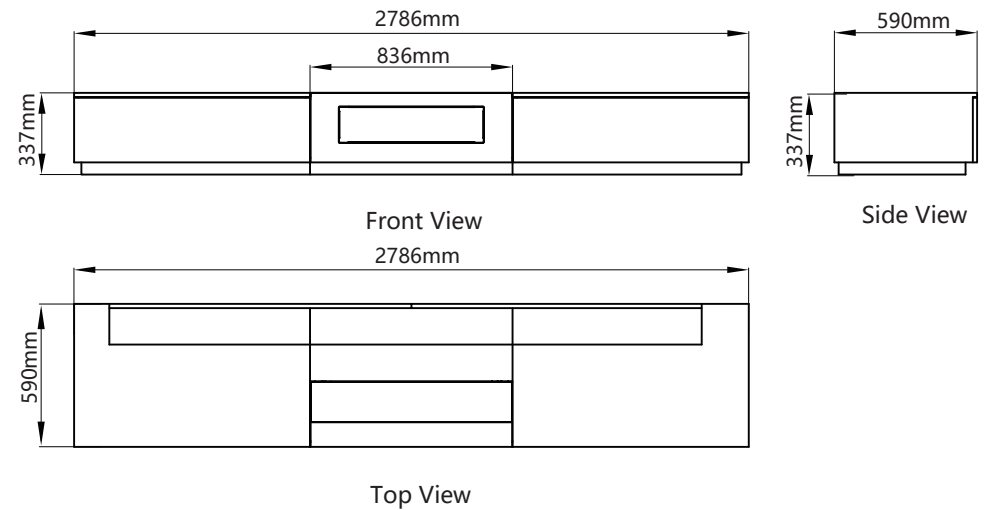
The Smart Laser Projector Cabinet allows you to enjoy home broadcast, television programs, and other forms of entertainment from your projector. In a click of a button, the projector is turned on, and will be adjusted in the correct position for viewing.

GMPU series Smart Laser Projector Cabinet is equipped with 2 motorized industrial linear racks for smooth, stable, and high precision positioning. The Smart Laser Projector Cabinet is smart, quiet, smooth, and safe with a clean look that collocates into your home.

GMPU-T4 Functions

1. GMPU-T4 is user friendly, simply plug and play
2. Product is elegantly designed, and adjustable
3. Product is built with mechanical and electrical limit switches
4. Product is equipped with 868 remote control function and DC5-12V trigger

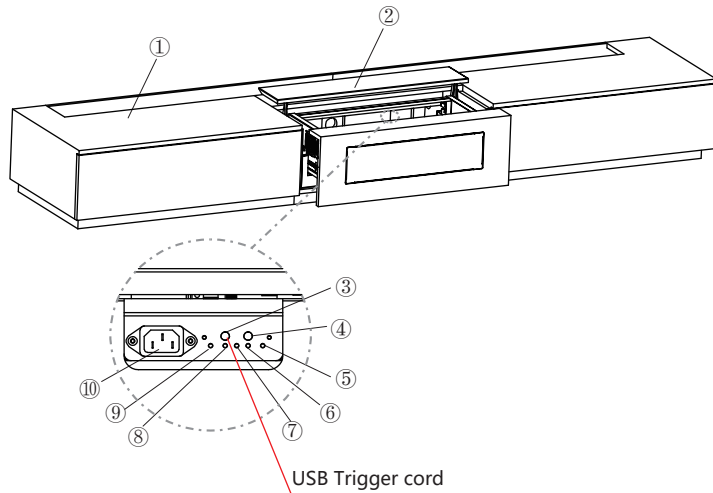
GMPU-T4 Specifications



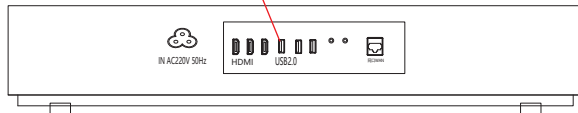
Product Name: Smart Laser Projector Cabinet
 Combination Cabinet Dimensions: 2786×590×337mm
 Platform Dimensions: 836x415x268mm
 Maxium Travel: 185mm
 Maxium Load: 20kg
 Input Voltage: AC 220V 50Hz
 Power: 20W
 Control Options: Wireless Control, DC5-12V Trigger

GMPU-T4 Parts and Functions

- ①Combination cabinet
- ②Smart electronic mobile platform
- ③Input (projector USB)
- ④Output (connect to screen)
- ⑤Retraction
- ⑥Extension
- ⑦Signal Light
- ⑧Electronic extension limit set/reset (hold button for 2 seconds until sound goes off signaling current position is set as extension limit; holding button until a sound goes off, and then goes off again, signals a reset of the extension limit)
- ⑨Electronic retraction limit set/reset (hold button for 2 seconds until sound goes off signaling current position is set as retraction limit; holding button until a sound goes off, and then goes off again, signals a reset of the retraction limit.)
- ⑩Power input (AC 220V 50Hz)



Back of projector



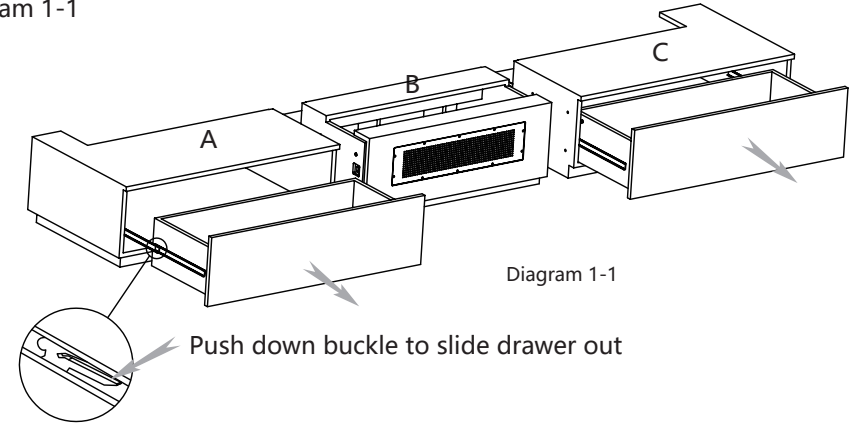
Input ③ and USB port from projector can be linked using a trigger cord to achieve interaction.

Accessories

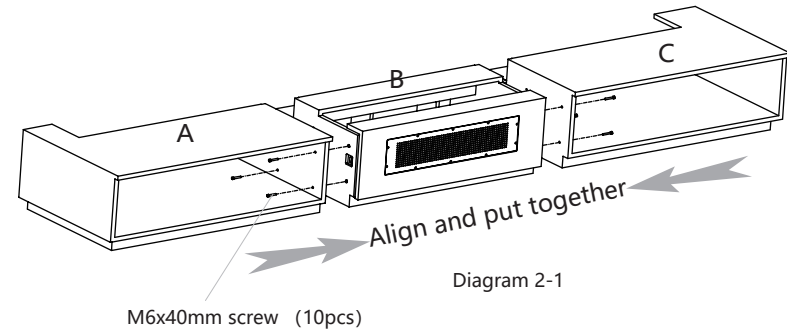
868 Remote	1pcs	M6x40mm Screws	22pcs	M6 Gaskets	22pcs
USB Trigger cord	1pcs	Power Cord	1pcs	Instruction Manual	1pcs

Combination Cabinet Installation

1. Lay the cabinets on a flat surface, remove A and C cabinet drawers, see diagram 1-1



2. Align cabinets A, B and C, put together and tighten screws, see diagram 2-1



3. Power Cords, see diagram 3-1

