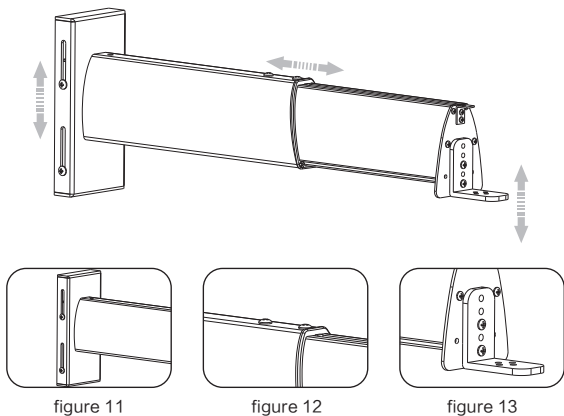


## Details of installation

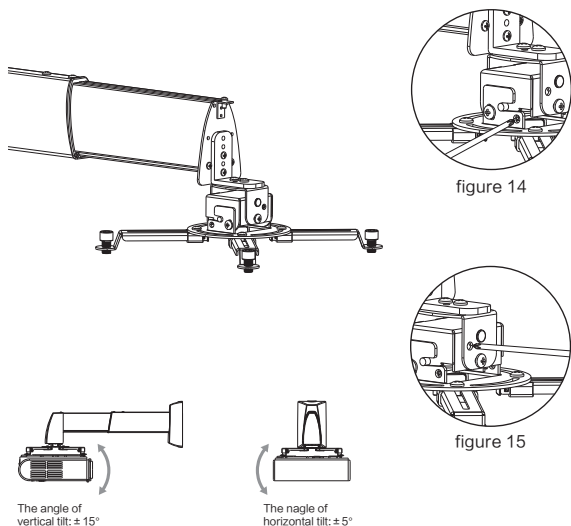
### Height and length adjustment

1. Loosen the positioning screws of low board (2-2), the height of GPCP Main Bar Overview can be adjusted (the maximum height: 45mm) as figure 11.
2. Loosen the positioning screws of main bar (1-4), the length of subsidiary bar (1-3) can be adjusted (check about the data of scope for installation) as figure 12.
3. Loosen the positioning screws of installation board (1-5), the height of installation board (1-5) can be adjusted (the maximum height: 30mm) as figure 13.



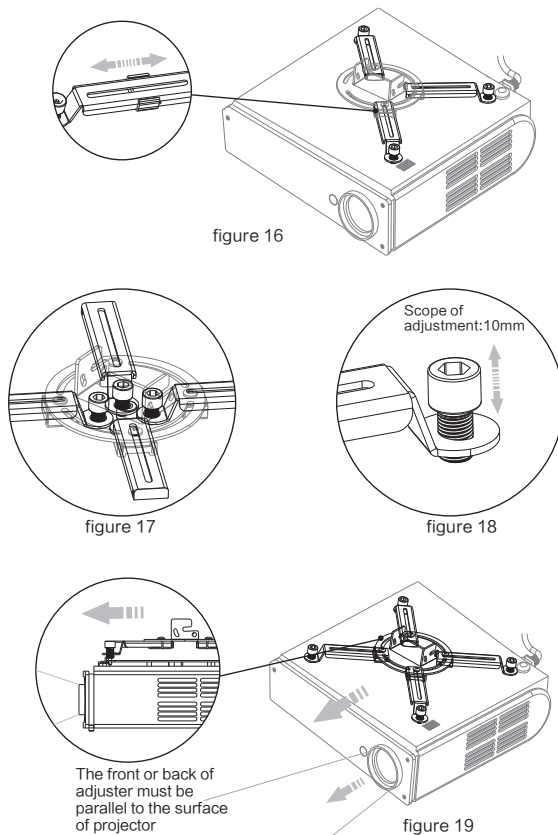
### Angle Adjustment

1. Loosen the positioning screws (front and back) for adjusting the angle, and then rotate the screwdriver for fine turning to the required angle as figure 14.
2. Loosen the positioning screws (left and right) for adjusting the angle, and then rotate the screwdriver for fine turning to the required angle as figure 15.



### Installation of main bar

1. Firstly, please confirm how many installation holes the projector has? 3 or 4.
2. If there are 3 holes, the installation arms (4-3) need to be taken apart from Installation bracket firstly. Connect 3 installation arms(4-3) to the projector, and then connect the installation arms (4-3) to the installation base (4-6) However, the installation base needs to be the center of projector. Figure 16
3. Connect the installation arms to the projector conversely if the distance of installation holes is less than 120mm. Connect the installation arms (4-3) to the installation base (4-6) via sliding installation button (4-5) as figure 17
4. Rotate the adjustable nut (4-4) for adjusting the height of installation arms (4-2) if the installation holes are not at the same level as figure 18.
5. The front or back of adjuster must be parallel to the surface of projector as figure 19.



### Grandview Crystal Screen Canada Ltd.

#11- 3751 North Fraser Way,  
Marine Way Business Centre,  
Burnaby, BC, Canada V5J 5G4  
Tel: 1-604-412-9777 Fax: 1-604-412-9796  
Website: www.grandviewscreen.ca

### Guangzhou Grandview Crystal Screen Co., Ltd.

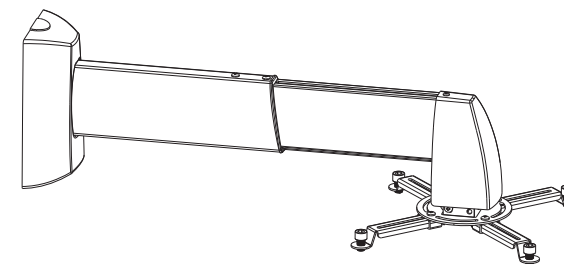
No.43,Guomao Road South, Hualong Town,  
Panyu District, Guangzhou City, China  
Tel: +8620-8489-9499 Fax: +8620-8480-3343  
Website: www.grandviewscreen.com  
www.grandviewscreen.com.cn

# Grandview®

## Instruction Manual

### Projector Wall Mount

Applicable Model  
GPCP-D4060  
GPCP-D6090  
GPCP-D90150



### Please read before using

Thank you for purchasing our products. Please read the instruction manual carefully in order to ensure this projector lift is suitable for your projection equipment.

### Cautious

**Warnings** For safety, the minimum weight of ceiling must be 20Kg

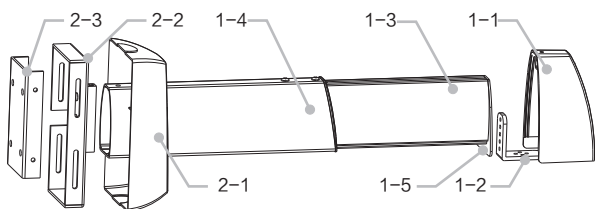
**Weight** The maximum weight of installation bracket is 20Kg (note: the installation bracket's maximum weight of GPCP-D90150 is 15kg)

**Caution** Please do not incline the projector the extremely.

**Do not take apart** Please do not take apart the accessories of projector ceiling mount.

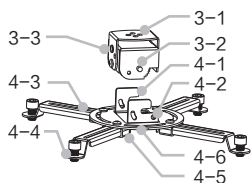
## Parts

GPCP-D is combined by GPCP and GPD



### GPCP Main Bar Overview

- 1-1 Top Cap
- 1-2 Front Board
- 1-3 Subsidiary Bar
- 1-4 Main Bar
- 1-5 Installation Board
- 2-1 Low Cap
- 2-2 Low Board
- 2-3 Fixation



### GPD Adjustment Overview

- 3-1 Adjuster
- 3-2 Hanging Button
- 3-3 Horizontal Adjusting Hole
- 4-1 Installation Bracket
- 4-2 Vertical Adjusting Button
- 4-3 Installation Arm
- 4-4 Adjustable Nut
- 4-5 Sliding Installation Button
- 4-6 Installation Base

### Accessories

- ① M3X30 Philips Screw (4pcs)
- ② M4X30 Philips Screw (4pcs)
- ③ M5X30 Philips Screw (4pcs)
- ④ M5X8 Philips Screw (2pcs)
- ⑤ M6X12 Anti-Slip Screw (2pcs)
- ⑥ M5X10 Philips Screw (5pcs)
- ⑦ M6X25 Tapping Screw (4sets)
- ⑧ Ø6X50 Wood Screw (4sets)

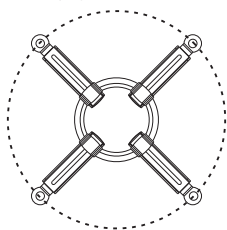
## Scope

Scope for installation (Installation hole of projector):

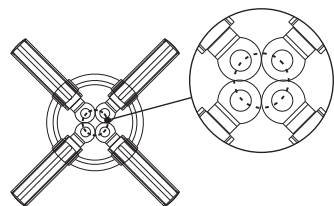
Maximum scope for installation: 310mm diameter

Minimum scope for installation: 40mm diameter

Note: Connect the installation arms to the projector conversely for different installation holes of projector.



Maximum diameter: 310mm



Minimum diameter: 40mm

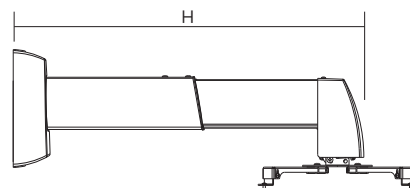
## Scope

Scope for installation (H is the distance between ceiling and projector)

The H of GPCP-D4060 is 420mm~600mm

The H of GPCP-D6090 is 600mm~900mm

The H of GPCP-D90150 is 900mm~1500mm



GPCP-D

## Steps of installation

- 1 Firstly, collect the power wires to the main bar as figure 1. Invaginate the low cap to the main bar as figure 2. Install the low board to the main bar, and then fasten the screws (accessories 5) as figure 3. Finally, install the front board to the front board of main bar and install the adjuster to the front board, and then fasten the screws (accessories 6) as figure 4.

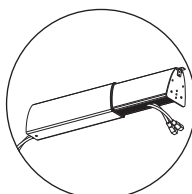


figure 1

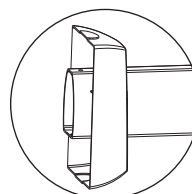


figure 2

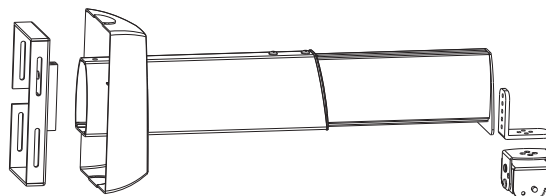


figure 3

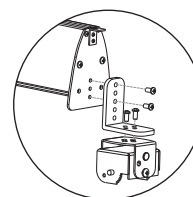


figure 4

## Steps of installation

- 2 Install the fixation on the wall (choose the screws according to the materials of wall, Use the screw of accessory 7 for concrete-wall, and use the screw of accessory 8 for wood-wall) as figure 5. And then, install the Main Bar Overview to the fixation and fasten the screws (accessory 4) as figure 5. Finally, connect the GPD Adjusting Overview to the adjuster and then fasten the screws (accessory 6) as figure 7.

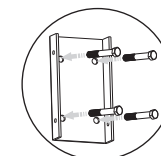


figure 5

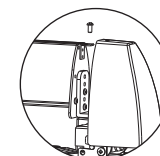


figure 7

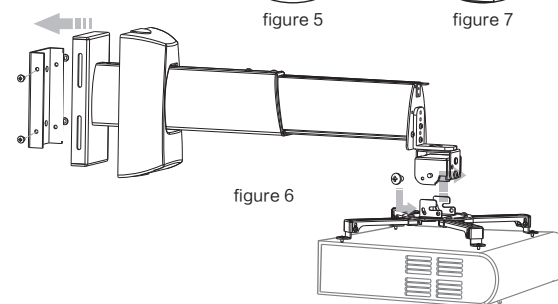


figure 6

## Details of installation

### Wires collection

Loosen out the positioning screws of main bar (1-4) as figure 8, and then take apart subsidiary bar (1-3) from main bar (1-4). Put the wires into the main bar (1-4) then insert the wires to the plastic groove of subsidiary bar (1-3). And then, re-install the subsidiary bar (1-3) to main bar (1-4) after collecting the wires as figure 9-10.

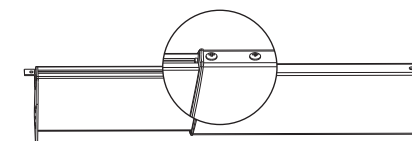


figure 8

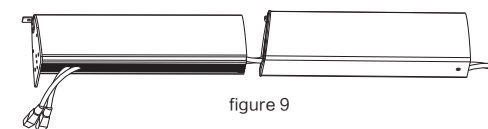


figure 9

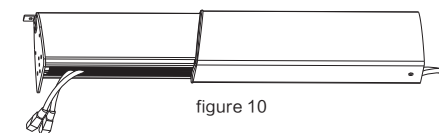


figure 10