

Details of installation

Height Adjustment

Take apart the ornament cap of main bar (2-3) and loosen the front positioning screws. Adjust the subsidiary bar (2-3) to required position, and then install the ornament cap of main bar (2-3) as figure 9.

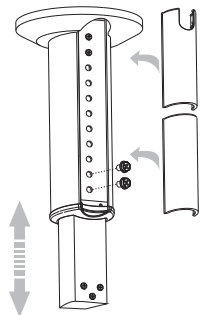


figure 9

Angle Adjustment

1. Vertical adjustment: rotate the adjusting button (3-3) for vertical angle, figure 10
 2. Horizontal adjustment: rotate the adjusting button (3-2) for horizontal angle, figure 11
 3. Horizontal rotation adjustment: loosen the rotation adjusting screw (3-4), the installation base can be rotated by 360°; fasten the rotation adjusting screw (3-4) after deciding the angle, figure 12

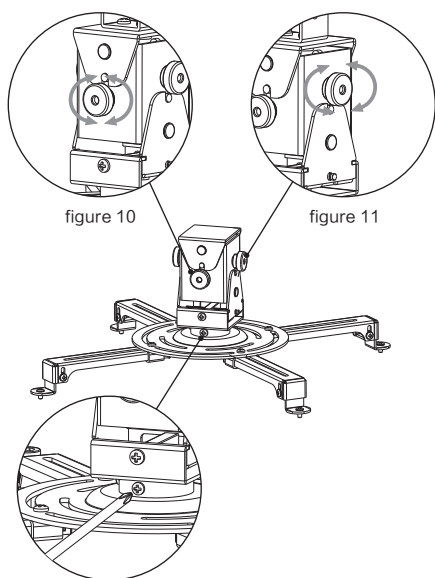
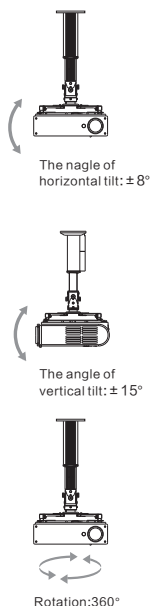


figure 12



Installation of main bar

1. Firstly, please confirm how many installation holes the projector has? 3 or 4
 2. If there are 3 holes, the installation arms (4-2) need to be taken apart from Installation bracket firstly. Connect 3 installation arms (4-2) to the projector, and then connect the installation arms (4-2) to the installation base (4-5) However, the installation base needs to be the center of projector. Figure 13.
 3. Connect the installation arms to the projector conversely if the distance of installation holes is less than 120mm. Connect the installation arms (4-2) to the installation base (4-5) via sliding installation button (4-4) as figure 14
 4. Rotate the adjustable screw (4-3) for adjusting the height of installation arms (4-2) if the installation holes are not at the same level as figure 15
 5. The front or back of adjuster must be parallel to the surface of projector as figure 16

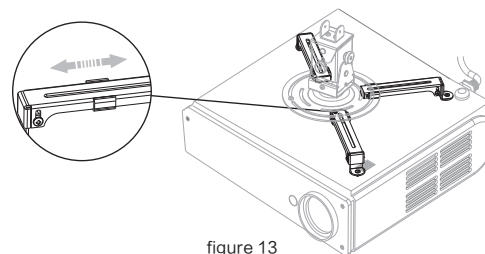


figure 13

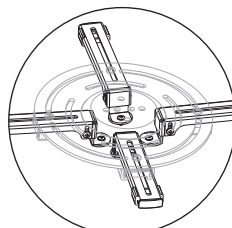


figure 14

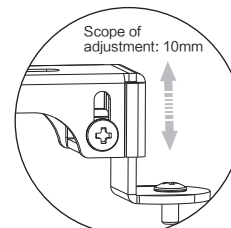


figure 15

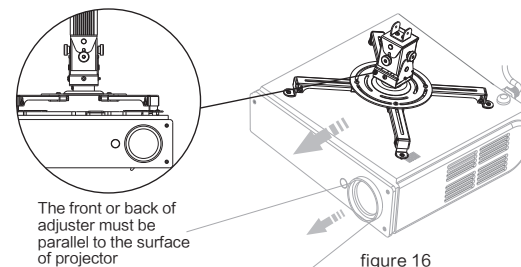


figure 16

Grandview Crystal Screen Canada Ltd.

#11- 3751 North Fraser Way,
 Marine Way Business Centre,
 Burnaby, BC, Canada V5J 5G4
 Tel: 1-604-412-9777 Fax: 1-604-412-9796
 Website: www.grandviewscreen.ca

Guangzhou Grandview Crystal Screen Co., Ltd.

No.43,Guomao Road South, Hualong Town,
 Panyu District, Guangzhou City, China
 Tel: +8620-8489-9499 Fax: +8620-8480-3343
 Website: www.grandviewscreen.com
 www.grandviewscreen.com.cn

Grandview

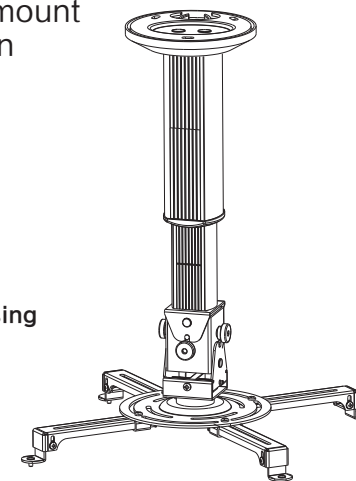
Instruction Manual

Projector ceiling mount with high precision adjustment

Applicable Model
 GPCM-E3540
 GPCM-E4560

Please read before using

Thank you for purchasing our products. Please read the instruction manual carefully in order to ensure this projector lift is suitable for your projection equipment.



Cautious

Warnings For safety, the minimum weight of ceiling must be 20KG

Caution Please do not incline the projector extremely.

Do not take apart Please do not take apart the accessories of projector ceiling mount.

Parts

GPCM-E is combined by GPCM and GPE

GPCM Main Bar Overview

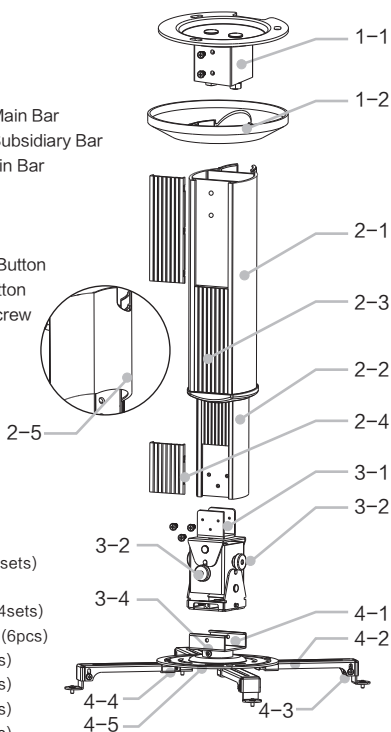
- 1-1 Fixation
- 1-2 Top Cap
- 2-1 Main Bar
- 2-2 Subsidiary Bar
- 2-3 Ornament Board of Main Bar
- 2-4 Ornament Board of Subsidiary Bar
- 2-5 Ornament Cap of Main Bar

GPE Adjusting Overview

- 3-1 Adjuster
- 3-2 Horizontal Adjusting Button
- 3-3 Vertical Adjusting Button
- 3-4 Rotation Adjusting Screw
- 4-1 Installation Bracket
- 4-2 Installation Arm
- 4-3 Adjustable Screw
- 4-4 Sliding Installation Button
- 4-5 Installation Base

Accessories:

- ① M5x35 Tapping Screw (3sets)
- ② M5x10 Philips Screw/
Washer/Spring Washer (4sets)
- ③ M4x6 Socket Cap Screw (6pcs)
- ④ M5x8 Philips Screw (6pcs)
- ⑤ M3x8 Philips Screw (4pcs)
- ⑥ M4x8 Philips Screw (4pcs)
- ⑦ M5x8 Philips Screw (4pcs)

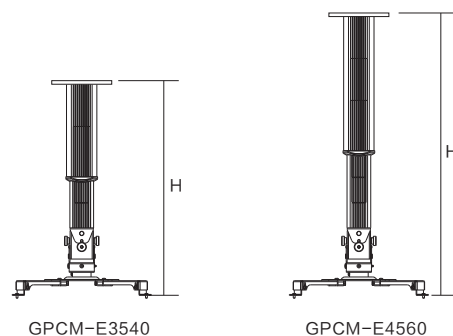


Scope

Scope for installation (H is the distance between ceiling and projector)

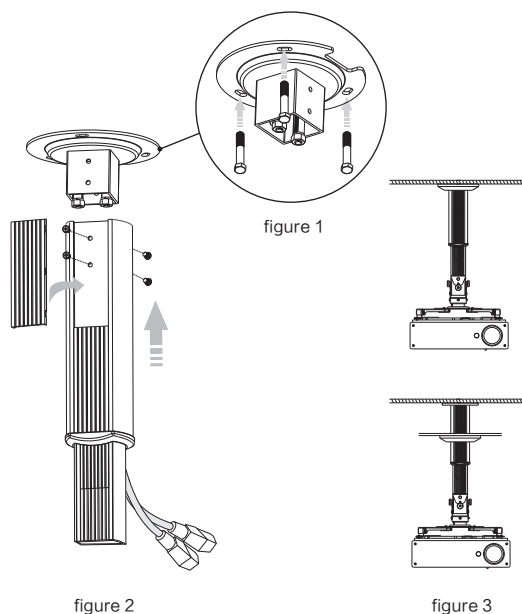
The H of GPCM-E3540 is 350mm~400mm

The H of GPCM-E4560 is 450mm~600mm



Two steps of installation

- ① Install the fixation on the ceiling (screws of accessory ①) as figure 1. GPCM-E can be installed to the concrete-roof with ceiling or without ceiling, such as figure 2 and figure 3.



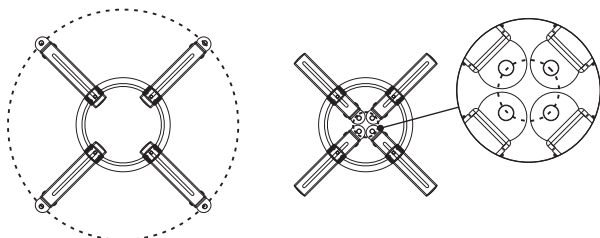
Scope

Scope for installation (Installation hole of projector):

Maximum scope for installation: 390mm diameter

Minimum scope for installation: 20mm diameter

Note: Connect the installation arms to the projector conversely for different installation holes of projector.

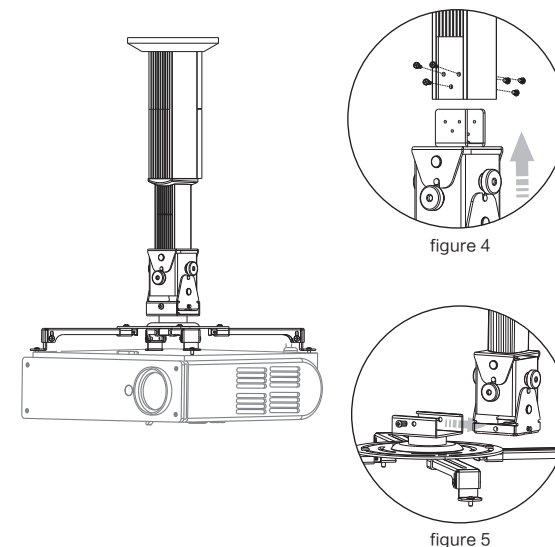


Maximum diameter: 390mm

Minimum diameter: 20mm

Two steps of installation

- ② Connect the adjuster to GPCM Main Bar Overview, and then fasten the screws (accessory ③) as figure 4. Afterward, slide the Adjustment Overview (projector has been installed) to adjuster, and then fasten the screws (accessory ④) as figure 5.



Details of installation

Wires collection

Take apart the ornament cap of main bar (2-5) after connecting the GPCM Main Bar Overview to the fixation (1-1), then stay the power cord into the storage gap. At last, re-install the ornament cap of main bar (2-5) as figure 7, 8 and 9.

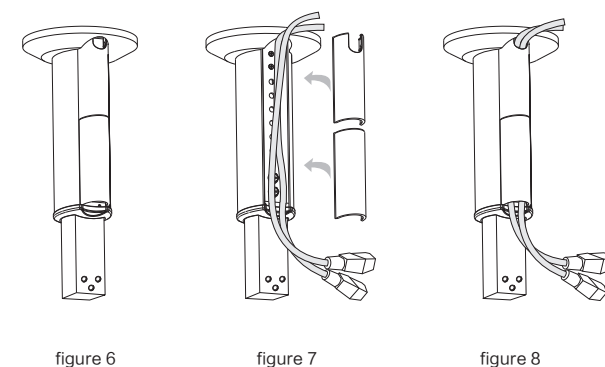


figure 6

figure 7

figure 8