

Details of installation

Height Adjustment

Adjust the main bar (2-1) to required height after taking apart the front ornament board (2-3) and loosening the front positioning screw. And then, re-install the front positioning screw and the front ornament board (2-3), figure 10. (The height of GPCN-E200 can not be adjusted; the main bar of GPCN-E3540 is separated by 4 segments, each segment is 25mm; the main bar of GPCN-E4560 is separated by 8 segments, each segment is 25mm)

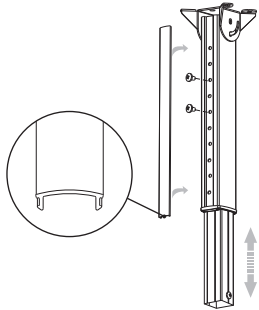


figure 10

Angle Adjustment

1.Vertical adjustment: rotate the adjusting button (3-3) for vertical angle, figure 11
 2.Horizontal adjustment: rotate the adjusting button (3-2) for horizontal angle, figure 12
 3.Horizontal rotation adjustment: loosen the rotation adjusting screw (3-4), the installation base can be rotated by 360°; fasten the rotation adjusting screw (3-4) after deciding the angle, figure 13

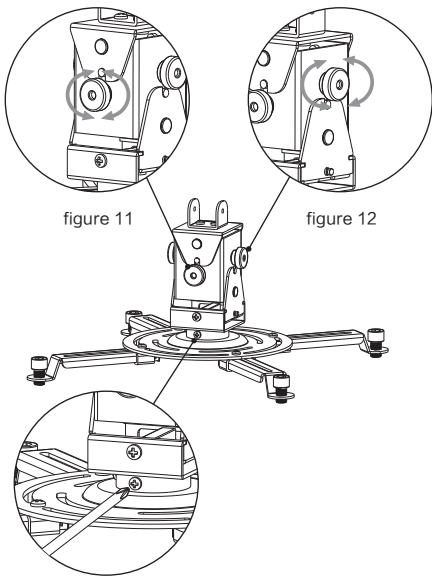
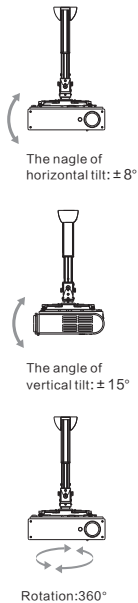


figure 11

figure 12

figure 13



The angle of horizontal tilt: $\pm 8^\circ$

The angle of vertical tilt: $\pm 15^\circ$

Rotation: 360°

Installation of main bar

1. Firstly, please confirm how many installation holes the projector has? 3 or 4
 2. If there are 3 holes, the installation arms (4-2) need to be taken apart from installation bracket firstly. Connect 3 installation arms (4-2) to the projector, and then connect the installation arms (4-2) to the installation base (4-5). However, the installation base needs to be the center of projector. Figure 14.
 3. Connect the installation arms to the projector conversely if the distance of installation holes is less than 120mm. Connect the installation arms (4-2) to the installation base (4-5) via sliding installation button (4-4) as figure 15
 4. Rotate the adjustable nuts (4-3) for adjusting the height of installation arms (4-2) if the installation holes are not at the same level as figure 16
 5. The front or back of adjuster must be parallel to the surface of projector as figure 17

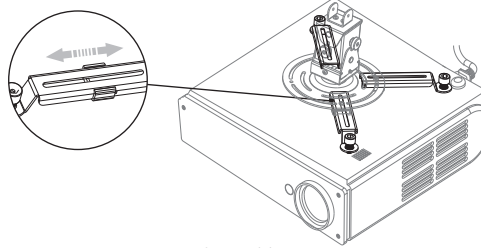


figure 14

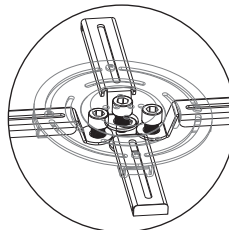


figure 15

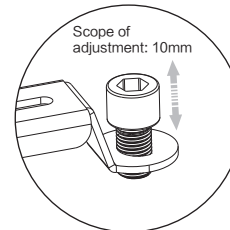


figure 16

Scope of adjustment: 10mm

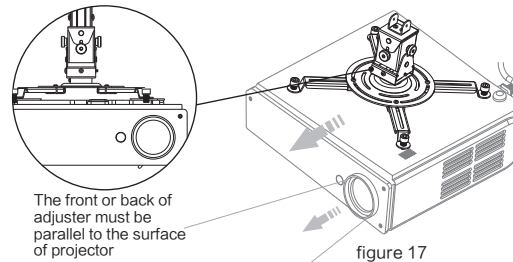


figure 17

The front or back of adjuster must be parallel to the surface of projector

Grandview Crystal Screen Canada Ltd.

#11- 3751 North Fraser Way,
 Marine Way Business Centre,
 Burnaby, BC, Canada V5J 5G4
 Tel: 1-604-412-9777 Fax: 1-604-412-9796
 Website: www.grandviewscreen.ca

Guangzhou Grandview Crystal Screen Co., Ltd.

No.43,Guomao Road South, Hualong Town,
 Panyu District, Guangzhou City, China
 Tel: +8620-8489-9499 Fax: +8620-8480-3343
 Website: www.grandviewscreen.com
 www.grandviewscreen.com.cn

GRANDVIEW®
 GRANDVIEW REPRODUCING GENUINE COLORS

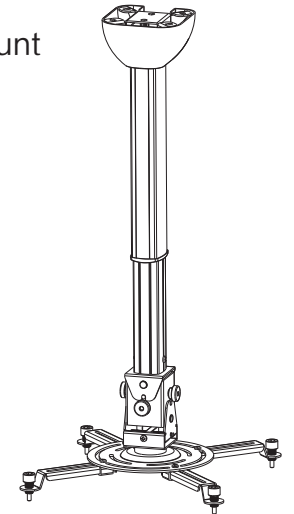
Instruction Manual

Projector Ceiling Mount

Applicable Model
 GPCN-E200
 GPCN-E3540
 GPCN-E4560

Please read before using

Thank you for purchasing our products. Please read the instruction manual carefully in order to ensure this projector lift is suitable for your projection equipment.



Cautious

Warnings For safety, the minimum weight of ceiling must be 10KG

Caution Please do not incline the projector extremely.

Do not take apart Please do not take apart the accessories of projector ceiling mount.

Parts

GPCN-E is combined by GPCN and GPE

GPCN Main Bar Overview

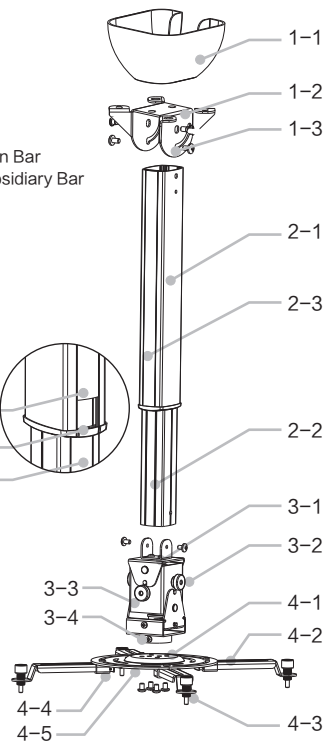
- 1-1 Top Cap
- 1-2 Fixation
- 1-3 Sliding Adjusting Hole
- 2-1 Main Bar
- 2-2 Subsidiary Bar
- 2-3 Front Ornament Board
- 2-4 Back Ornament Board of Main Bar
- 2-5 Back Ornament Board of Subsidiary Bar
- 2-6 Moving Button

GPE Adjusting Overview

- 3-1 Adjuster
- 3-2 Horizontal Adjusting Button
- 3-3 Vertical Adjusting Button
- 3-4 Rotation Adjusting Screw
- 4-1 Installation Bracket
- 4-2 Installation Arm
- 4-3 Adjustable Nut
- 4-4 Sliding Installation Button
- 4-5 Installation Base

Accessories:

- ① $\varnothing 6 \times 50$ Wood Screw (4pcs)
- ② M5x16 Philips Screw (6pcs)
- ③ M5x8 Philips Screw (6pcs)
- ④ M3x30 Philips Screw (4pcs)
- ⑤ M4x30 Philips Screw (4pcs)
- ⑥ M5x30 Philips Screw (4pcs)
- ⑦ $\varnothing 6 \times 25$ Tapping Screw (4pcs)



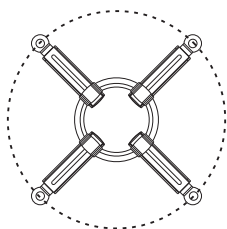
Scope

Scope for installation (Installation hole of projector):

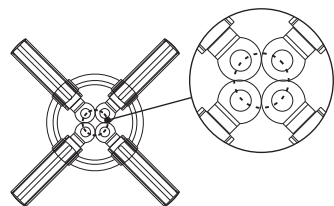
Maximum scope for installation: 345mm diameter

Minimum scope for installation: 45mm diameter

Note: Connect the installation arms to the projector conversely for different installation holes of projector.



Maximum diameter: 345mm



Minimum diameter: 45mm

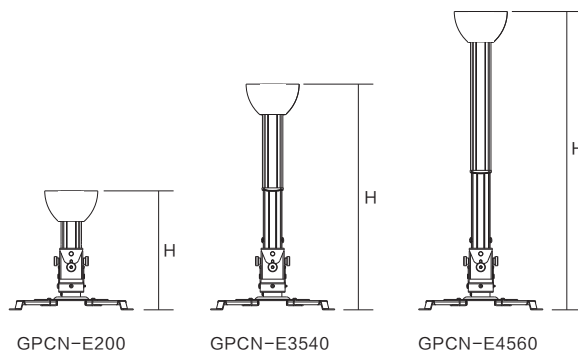
Scope

Scope for installation (H is the distance between ceiling and projector)

The H of GPCN-E200 is 250mm

The H of GPCN-E3540 is 350mm~400mm

The H of GPCN-E4560 is 450mm~600mm



Steps of installation

- 1 Install the fixation on the ceiling (screws of accessory ① or ⑦) as figure 1, and the fixation also can be installed on the ceiling which angle is less than 15° as figure 2. GPCN-E can be installed to the concrete-roof with ceiling or without ceiling, such as figure 3 and figure 4.

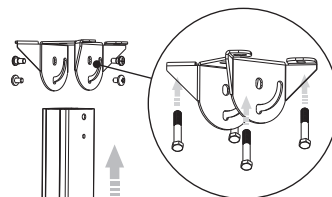


figure 1

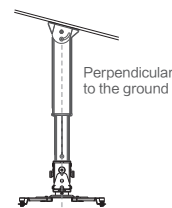


figure 2

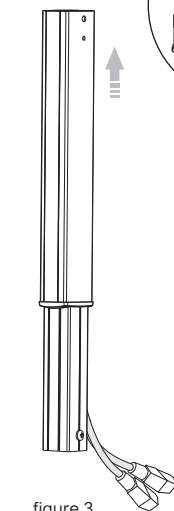


figure 3

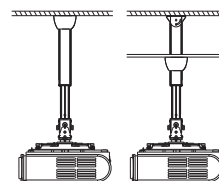


figure 4

Steps of installation

- 2 Connect the adjuster to GPCN Main Bar Overview, and then fasten the screws (accessory ②) as figure 5. Afterward, slide the Adjustment Overview (projector has been installed) to adjuster, and the fasten the screws (accessory ③) as figure 6.

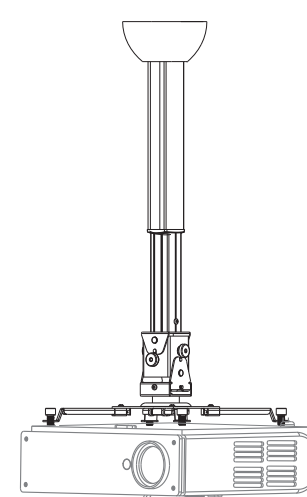


figure 5

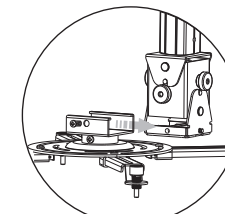


figure 6

Details of installation

Wires collection

If the volume of power wire is less than diameter of main bar (2-1) that please put this power cord inside the main bar directly. But if the volume is greater than the diameter, please take apart back ornament board (2-4 and 2-5) and positioning button (2-6) from main bar (2-1) as figure 7. And then stay the power wire into the main bar (2-1). Finally, re-install the back ornament board (2-4) from the other end, and then install positioning button (2-6) and back ornament board (2-5), figure 9.

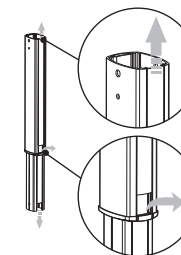


figure 7

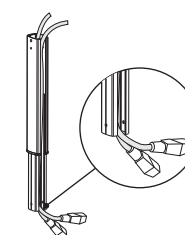


figure 8

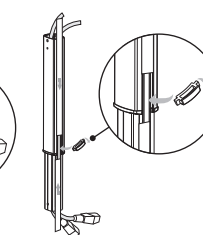


figure 9